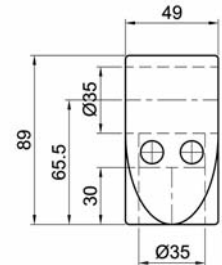
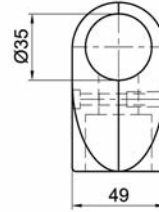
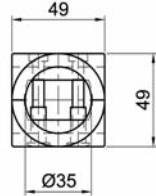


Ø
35
mm



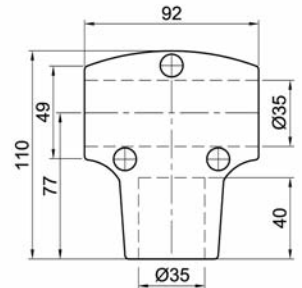
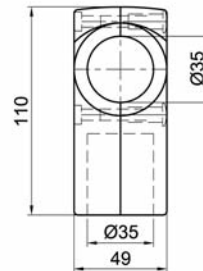
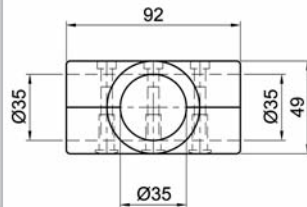
Bestell-Nr. **RV-2310 a***
Order no.

T-Verbinder, 2-schalig T-Connector, 2-shell



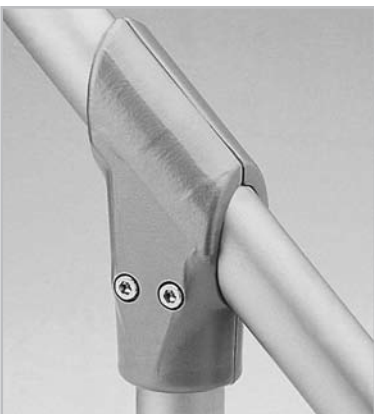
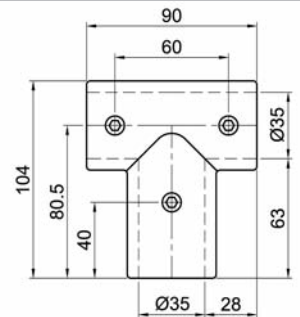
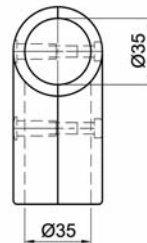
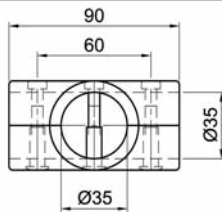
Bestell-Nr. **RV-2320 a***
Order no.

T-Verbinder, 2-schalig T-Connector, 2-shell



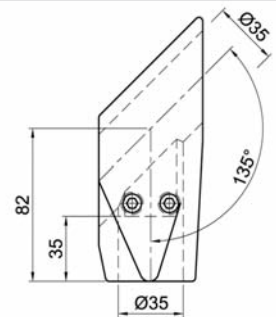
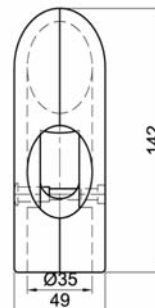
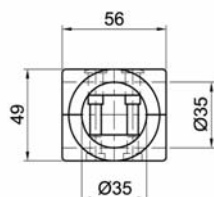
Bestell-Nr. **RV-1889 a***
Order no.

T-Verbinder, 2-schalig T-Connector, 2-shell



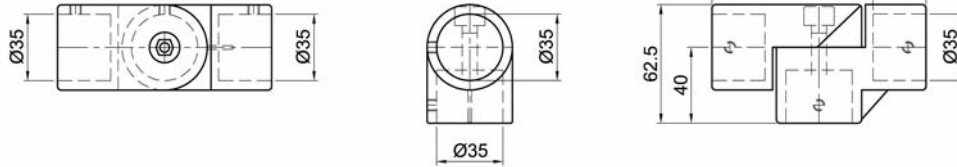
Bestell-Nr. **RV-2347 a***
Order no.

T-Verbinder 45°/135°, 2-schalig T-Connector 45°/135°, 2-shell



T-Gelenkverbinder, 1-schalig T-joint connector, 1-shell

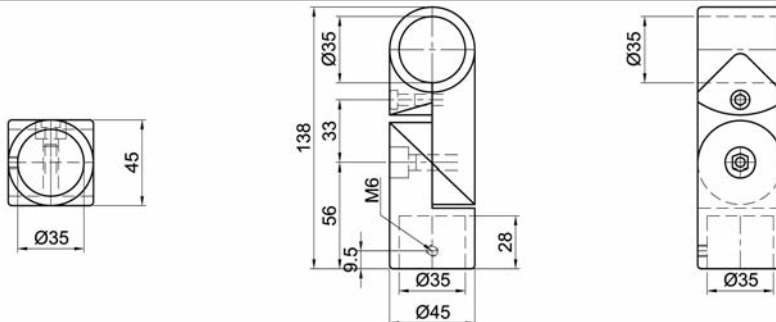
Bestell-Nr. **RV-1924 d***
Order no.



Ø
35
mm

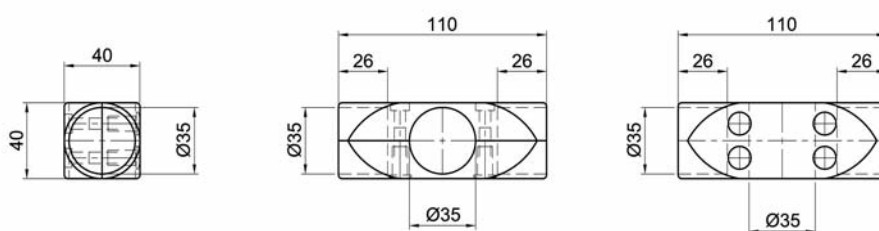
T-Gelenkverbinder, 2-schalig T-joint connector, 2-shell

Bestell-Nr. **RV-2420***
Order no.



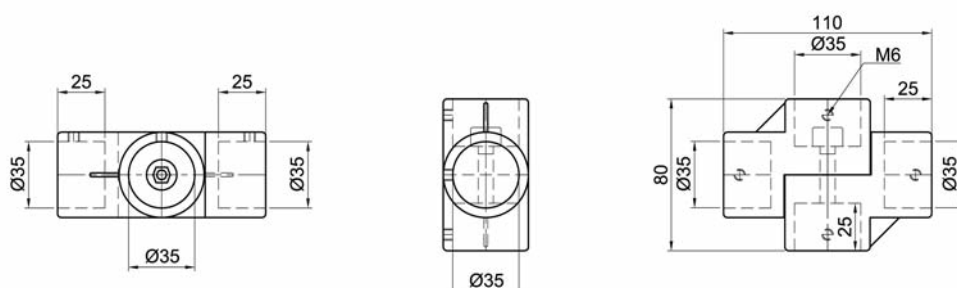
Kreuz-Verbinder, 2-schalig Cross-connector, 2-shell

Bestell-Nr. **RV-2330 a***
Order no.



Kreuz-Gelenkverbinder, 1-schalig Cross-joint connector, 1-shell

Bestell-Nr. **RV-1924 e***
Order no.



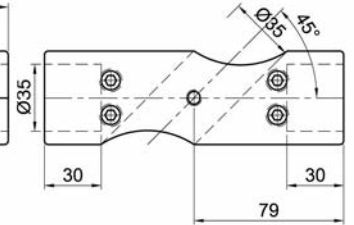
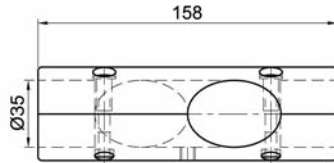
* mit Oberflächen-Bestell-Code ergänzen (siehe Seite 282–283)
to add surface-order-code (see page 282–283)

∅
35
mm



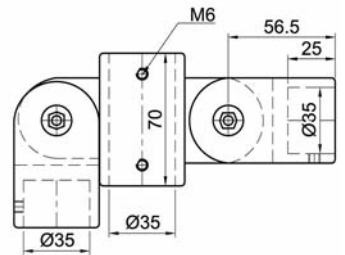
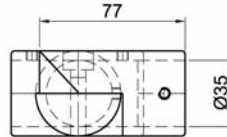
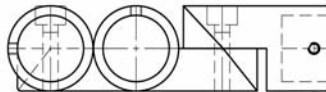
Bestell-Nr. **RV-2346 a***
Order no.

Kreuz-Verbinder 45°/135°, 2-schalig
Cross-connector 45°/135°, 2-shell



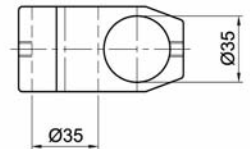
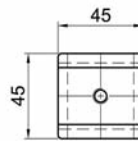
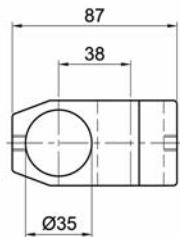
Bestell-Nr. **RV-2421***
Order no.

Kreuz-Gelenkverbinder, 2-schalig
Cross-joint connector, 2-shell



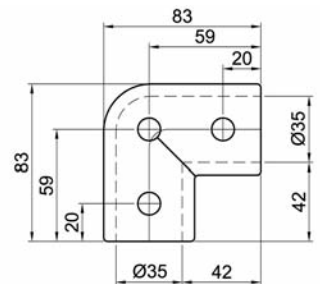
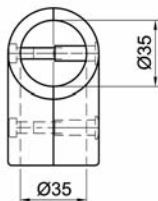
Bestell-Nr. **RV-2086 b***
Order no.

Kreuz-Verbinder, 1-schalig
Cross-connector, 1-shell



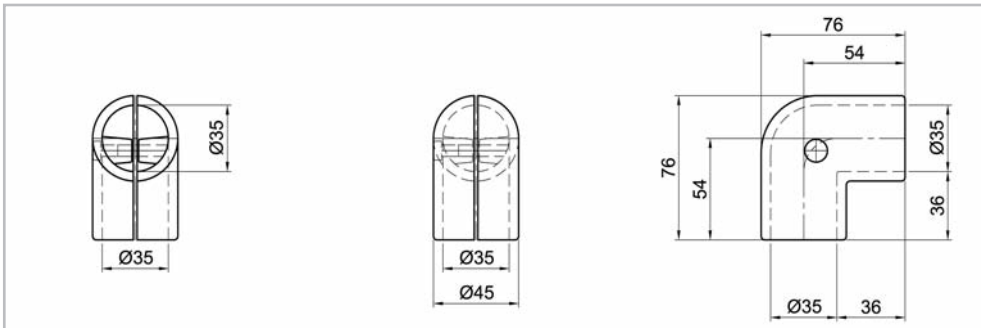
Bestell-Nr. **RV-1888 a***
Order no.

Winkel-Verbinder 90°, 2-schalig
Angle-connector, 2-shell



Winkel-Verbinder 90°, 2-schalig Angle-connector 90°, 2-shell

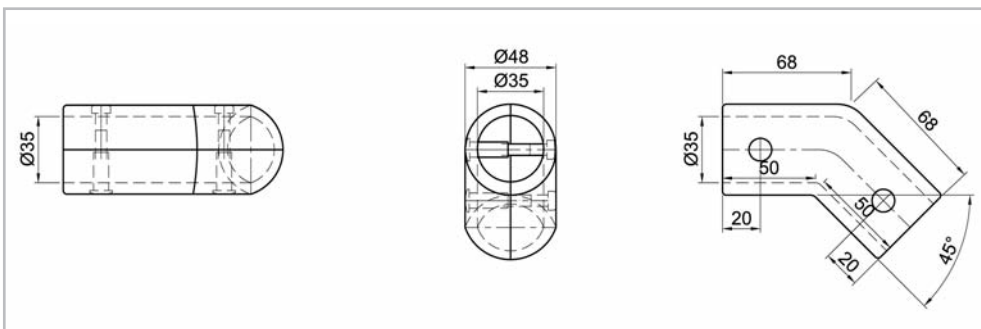
Bestell-Nr. **RV-1711 a***
Order no.



Ø
35
mm

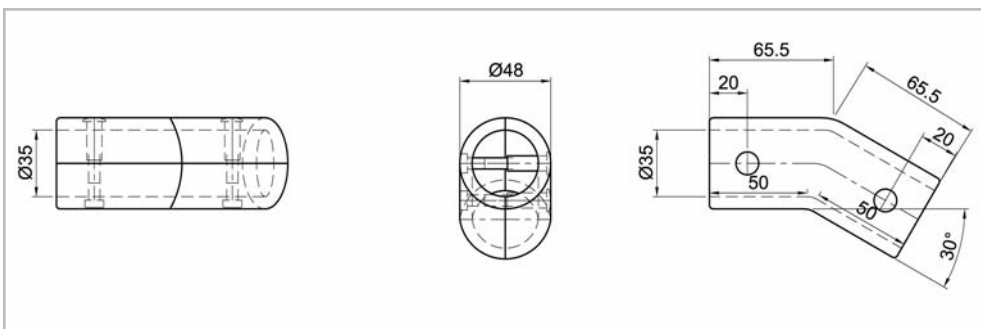
Winkel-Verbinder 45°/135°, 2-schalig Angle-connector 45°/135°, 2-shell

Bestell-Nr. **RV-2370 a***
Order no.



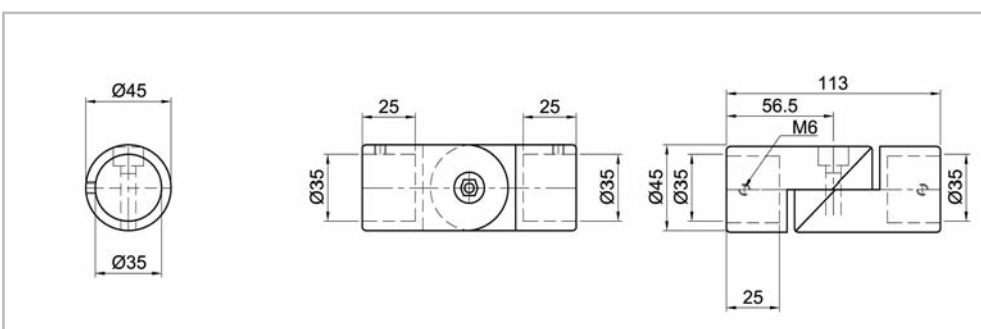
Winkel-Verbinder 30°/150°, 1-schalig Angle-connector 30°/150°, 1-shell

Bestell-Nr. **RV-2380 a***
Order no.



Winkel-Glenkverbinder, 1-schalig Angle-joint connector, 1-shell

Bestell-Nr. **RV-1924 c***
Order no.



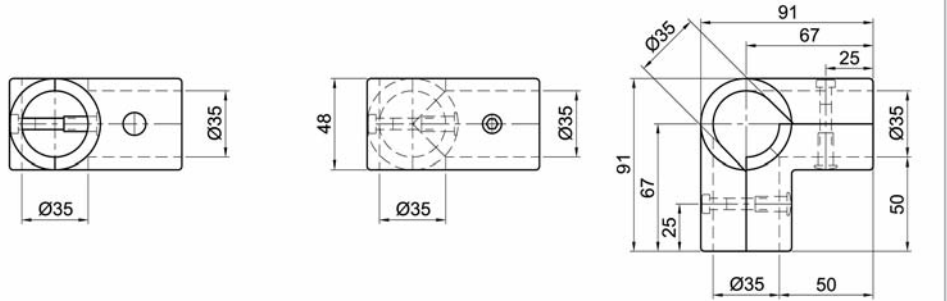
* mit Oberflächen-Bestell-Code ergänzen (siehe Seite 282–283)
to add surface-order-code (see page 282–283)

Ø
35
mm



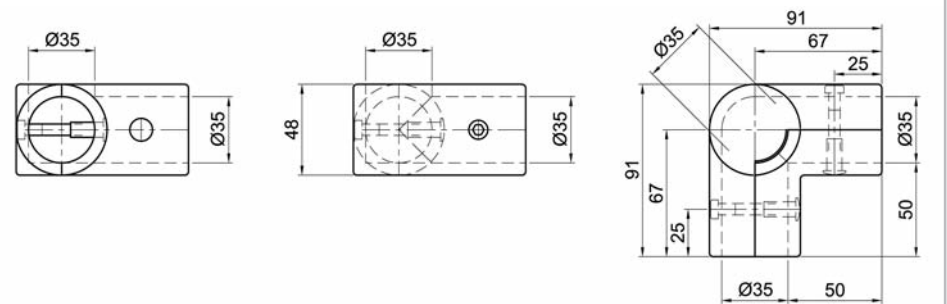
Bestell-Nr. **RV-2340 a***
Order no.

Eck-Verbinder, offen, 2-schalig
Corner connector, open, 2-shell



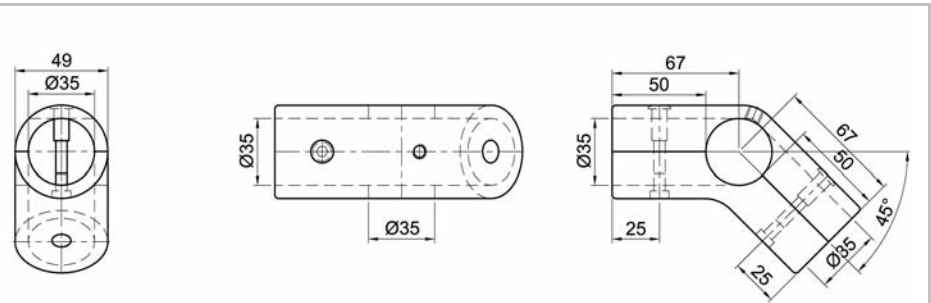
Bestell-Nr. **RV-2340 b***
Order no.

Eck-Verbinder, Kopfstück, 2-schalig
Corner connector, Headpiece, 2-shell



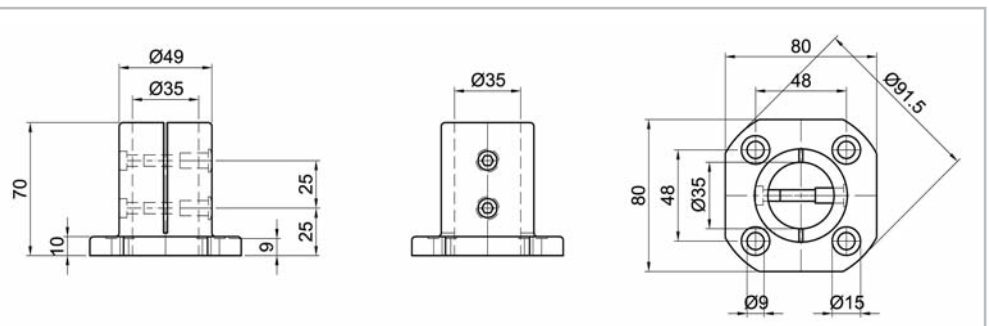
Bestell-Nr. **RV-2345 a***
Order no.

Eck-Verbinder 45°/135°, 2-schalig
Corner connector 45°/135°, 2-shell



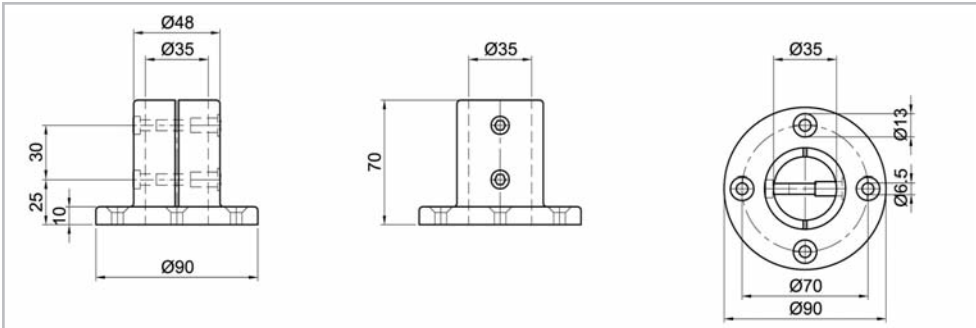
Bestell-Nr. **RV-2460 a***
Order no.

Bodenlager, 1-schalig
Ground bearing, 1-shell



Bodenlager, 1-schalig Ground bearing, 1-shell

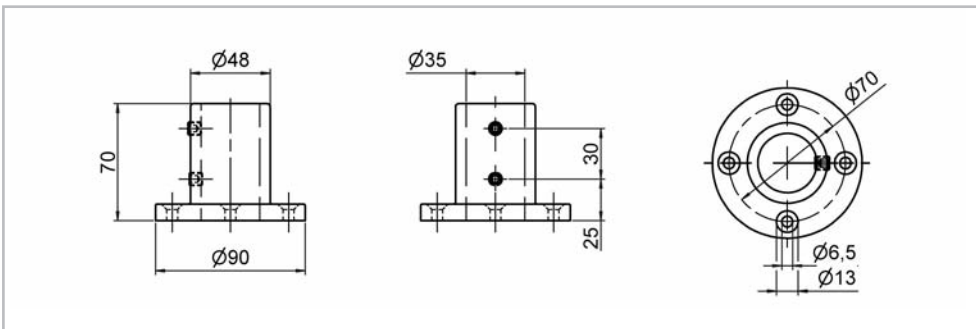
Bestell-Nr. **RV-1710 a**
Order no.



Ø
35
mm

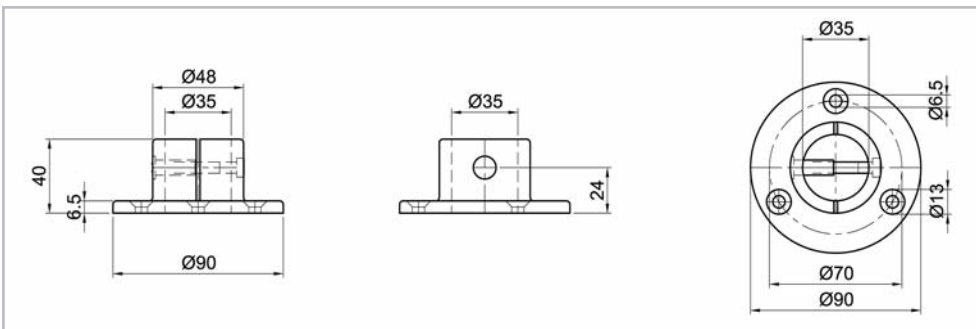
Bodenlager, 1-schalig Ground bearing, 1-shell

Bestell-Nr. **RV-1710 b***
Order no.



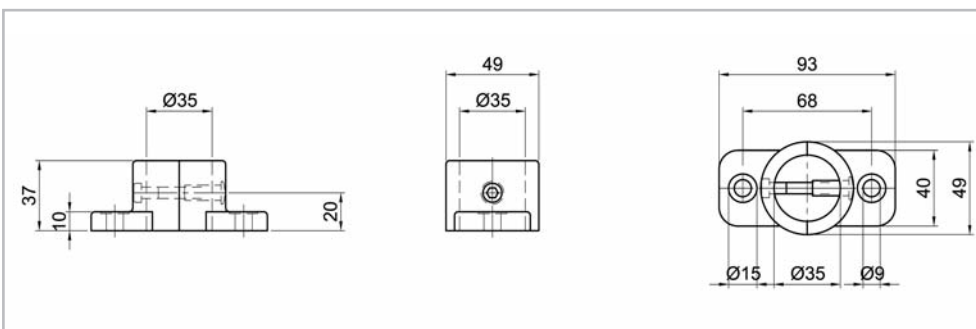
Bodenlager, 1-schalig Ground bearing, 1-shell

Bestell-Nr. **RV-1709 b***
Order no.



Bodenlager, 2-schalig Ground bearing, 2-shell

Bestell-Nr. **RV-2450 a***
Order no.



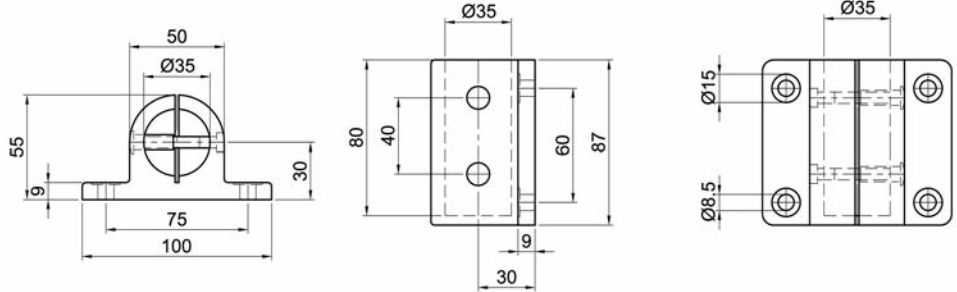
* mit Oberflächen-Bestell-Code ergänzen (siehe Seite 282–283)
to add surface-order-code (see page 282–283)

∅
35
mm



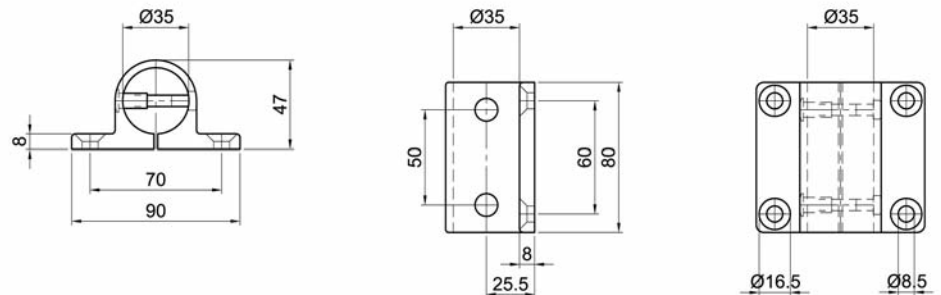
Bestell-Nr. **RV-2360 a***
Order no.

Wandlager, 1-schalig Wall bearing, 1-shell



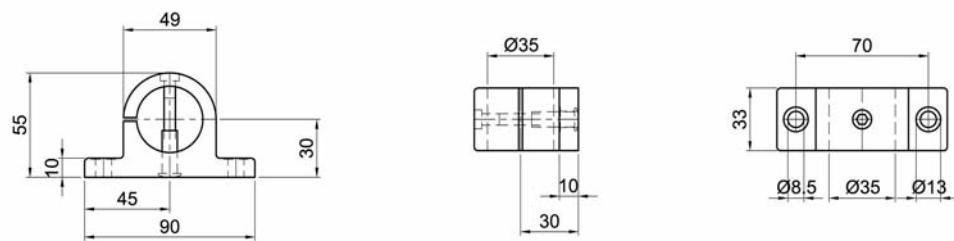
Bestell-Nr. **RV-1864 a***
Order no.

Wandlager, 1-schalig Wall bearing, 1-shell



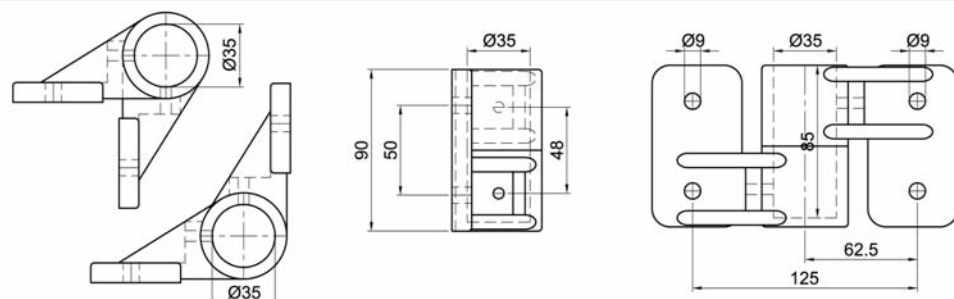
Bestell-Nr. **RV-2350 a***
Order no.

Wandlager, 1-schalig Wall bearing, 1-shell



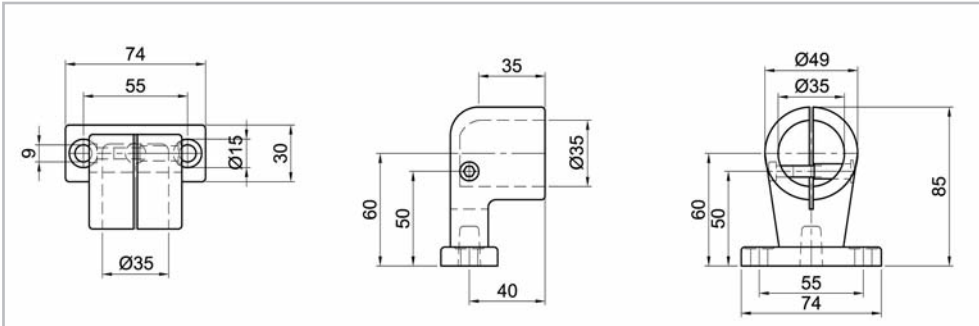
Bestell-Nr. **RV-1713 a***
Order no.

Wandlager-Eckbefestigung, 1-schalig Wall bearing- corner fastening, 1-shell



Endstütze, 1-schalig End prop, 1-shell

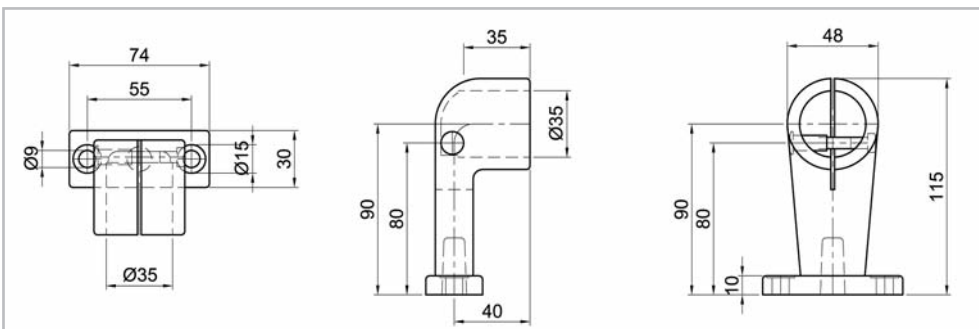
Bestell-Nr. **RV-2390 a***
Order no.



Ø
35
mm

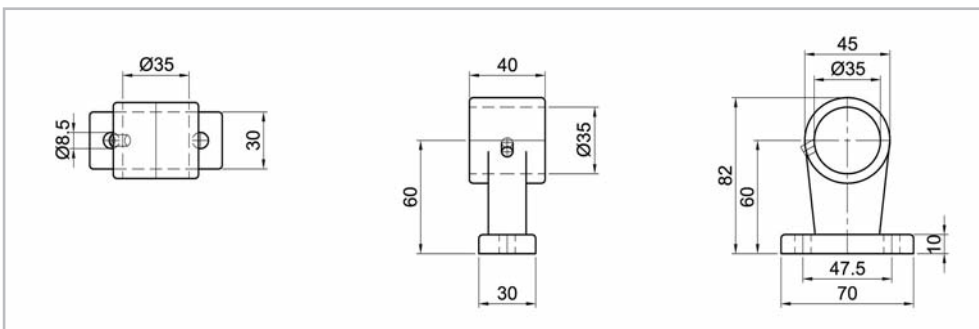
Endstütze, 1-schalig End prop, 1-shell

Bestell-Nr. **RV-2400 a***
Order no.



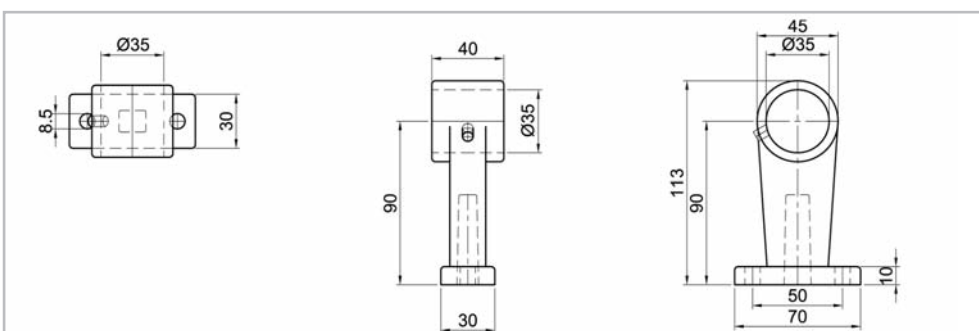
Mittelstütze, 1-schalig Centre prop, 1-shell

Bestell-Nr. **RV-2391 a***
Order no.



Mittelstütze, 1-schalig Centre prop, 1-shell

Bestell-Nr. **RV-2401 a***
Order no.



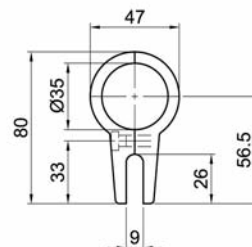
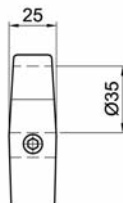
* mit Oberflächen-Bestell-Code ergänzen (siehe Seite 282–283)
to add surface-order-code (see page 282–283)

Ø
35
mm



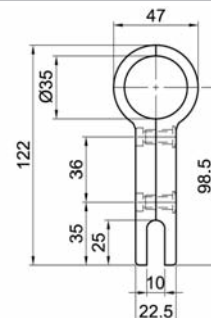
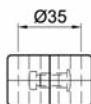
Bestell-Nr. **RV-1692 a***
Order no.

Glashalter, 2-schalig
Glass holder, 2-shell



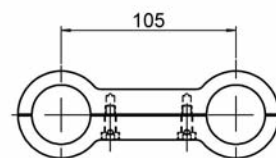
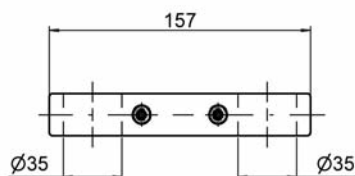
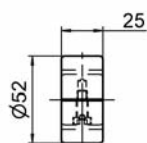
Bestell-Nr. **RV-1681***
Order no.

Glashalter, 2-schalig
Glass holder, 2-shell



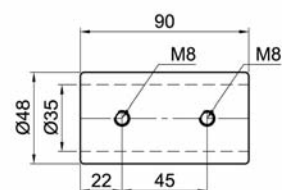
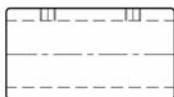
Bestell-Nr. **RV-1681 d***
Order no.

Doppelschelle, 2-schalig
Double clamp, 2-shell



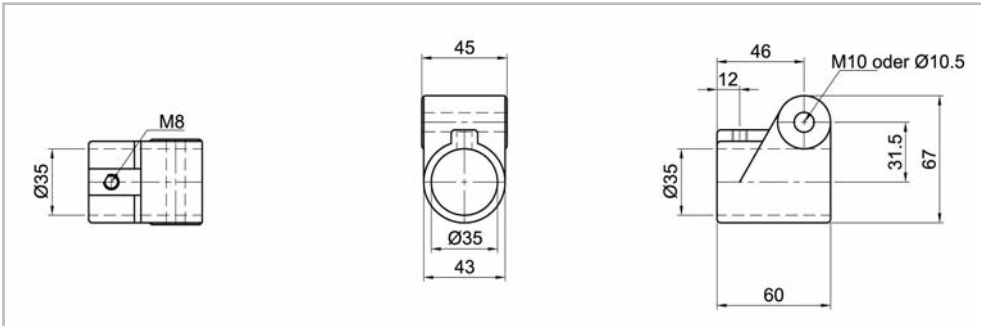
Bestell-Nr. **RV-2305***
Order no.

Rohr-Verbindungsstück, 1-schalig
Tube connector piece, 1-shell



Anschlussstück offen, 1-schalig Connection piece open, 1-shell

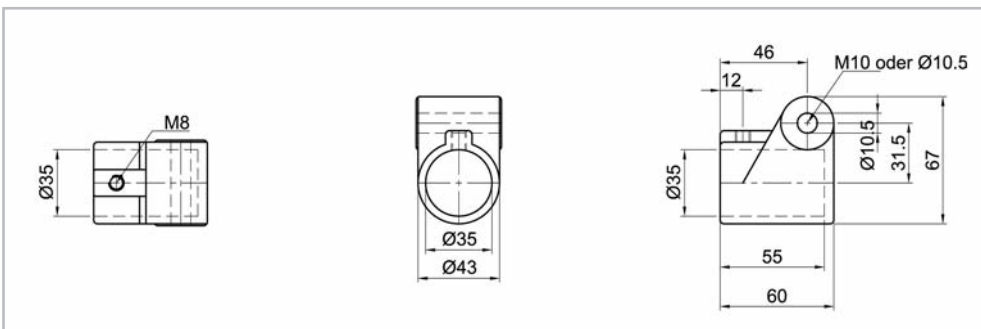
Bestell-Nr. **RV-2410 a***
Order no.



Ø
35
mm

Anschlussstück geschlossen, 1-schalig Connection piece closed, 1-shell

Bestell-Nr. **RV-2411 a***
Order no.



Bestell-Nr. **RV-2411 a + RV-2411 a***
Order no.

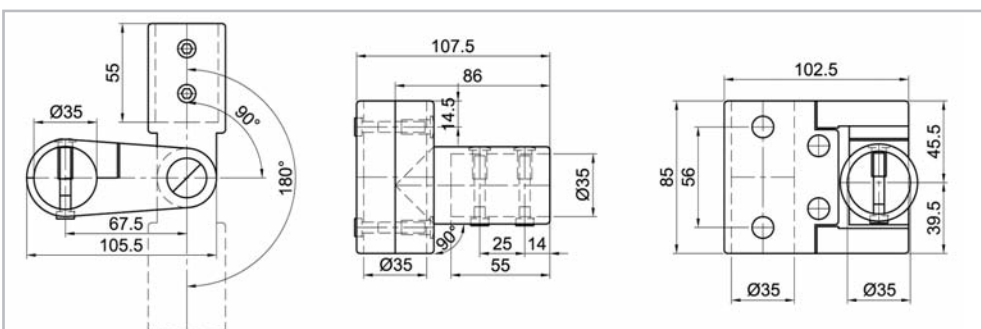
Bestell-Nr. **RV-2410 a + RV-2411 a***
Order no.

Bestell-Nr. **RV-2410 a + RV-2410 a***
Order no.



Pendellager 35 x 35 wahlweise 90° oder 180° Swivel bearing 35 x 35 option of 90° or 180°

Bestell-Nr. **RV-2230***
Order no.



* mit Oberflächen-Bestell-Code ergänzen (siehe Seite 282–283)
to add surface-order-code (see page 282–283)